

SILL-LINE PERIMETER CASING

WARMLINE TRENCH HEATING

VECTAIR CONVECTORS

SPIRALLY WOUND GILLED TUBE

Warmline Electric Trench Heating

For locations without access to a LPHW supply, Warmline Electric Trench Heating is an ideal solution. The 550w rated heating element is supplied in a 1200mm long module. Multiple modules can be arranged in a continuous run with dummy sections, mitred corners, and column cut outs supplied if required.

Each unit consists of a trench casing, electric element, thermostatic cut out, safety mesh, grille frame and grille as shown on the diagramme to the right. (figure 1).

The trench profile is shown on the diagram below (figure 2). The trench casing is manufactured from 1.2mm zintec steel sheeting and powder coated black to the inside. The grille and grille frame are natural aluminium as standard.

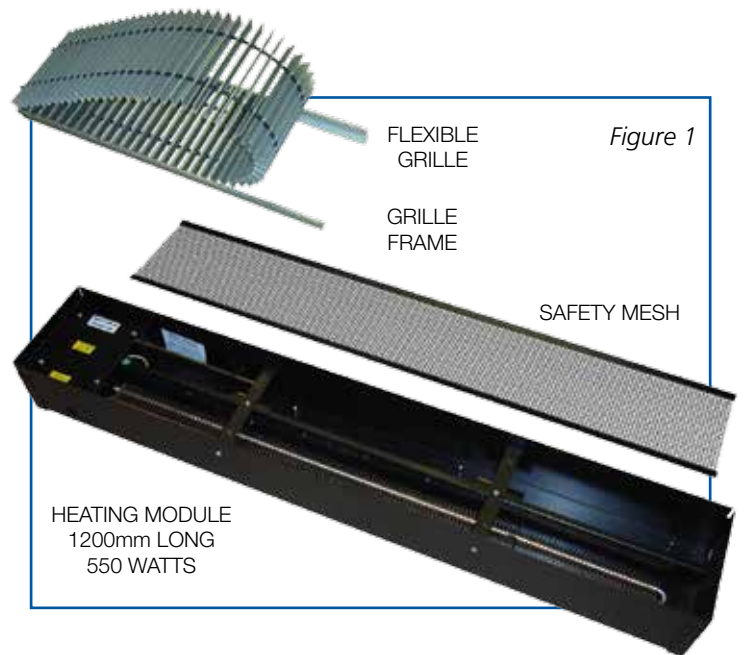


Figure 1

Anodised to AA15 and finished in natural satin. 70% free area on the grille and 94% free area on the safety mesh. A wide range of alternative grille finishes are available upon request. Levelling bolts are fitted through the base of the unit and provide up to 20mm vertical adjustment.

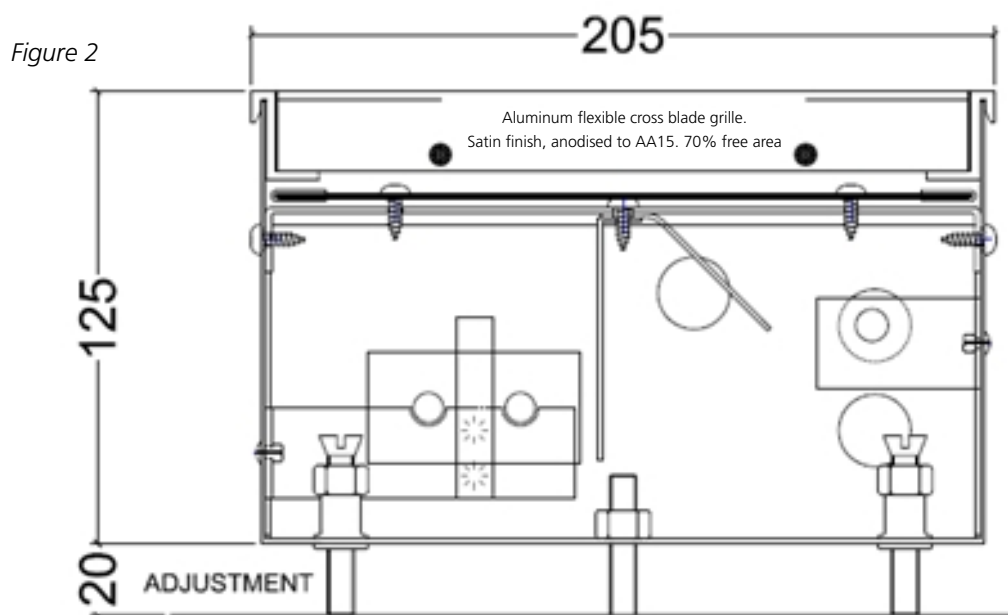
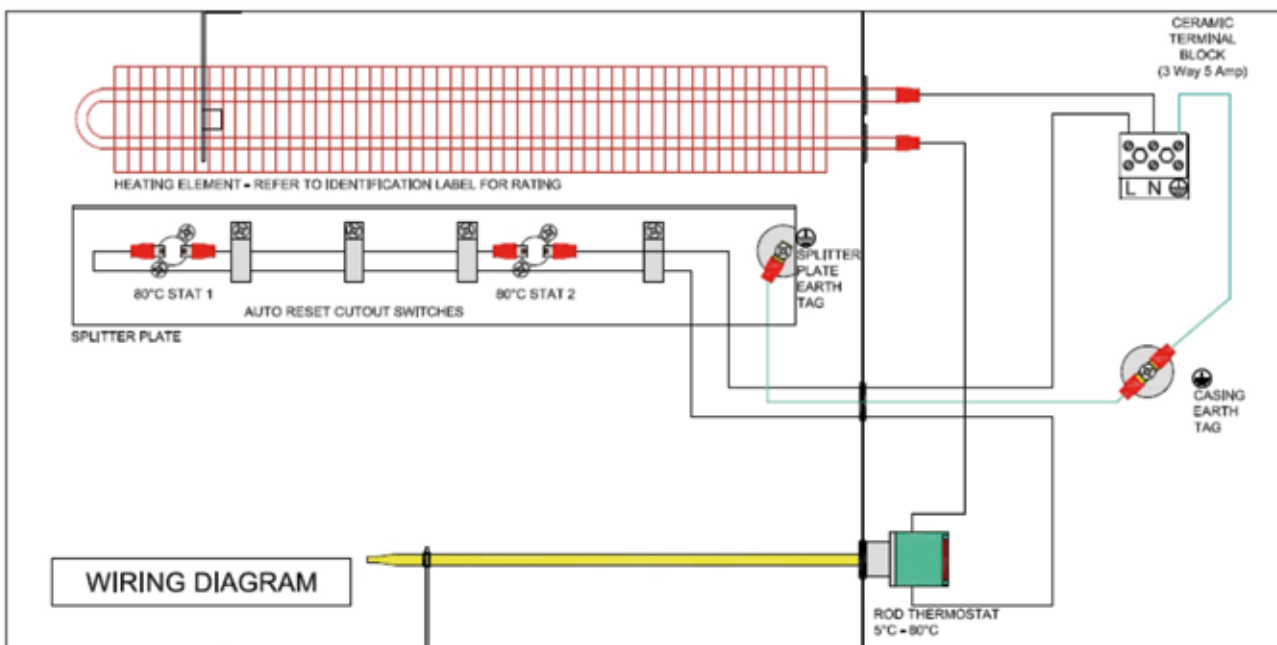


Figure 2

Electric Trench Temperature Test						
08/02/2013						
	Casing Element Side	Casing Window Side	Outlet Air Temp., 10mm Above Outlet	Centre of Element Core	Mesh Temp. Above Element	Grille Temp. Above Element
No Mesh or Grille	30.5	26.0	67.0	160.0		
Mesh Only	32.5	28.3	51.2	161.2	73.2	
Mesh & Grille	34.4	30.7	63.5	160.7	73.6	48.9
Temperature in °C 70% Free Area Grille						

Features

- Standard Modular Assemblies 1200mm long
- 550 watts per module
- Compact Cross Section 205mm wide 125mm deep
- Flexible Grille 70% Free Area
- Litter / Safety Mesh
- Wired and Tested to BS7671 (1992) Part 7
- Elements Manufactured to BS 7351
- 1.2mm / 18 SWG Zintec Casing
- Matching Aluminium Grille and Grille Frame
- Grille is satin anodised and finished to AA15
- Rods are of the solid nylon type to SAM 66
- Dummy Casing for Continuous Appearance
- Corner and Column Surrounds available



Controls

Units are wired individually but can also be installed in groups provided wiring (by a suitably qualified person) is properly fused and rated.

Units are protected by emergency cut outs and an internal rod thermostat.

Units can be connected to mains supply by remote switch to the room stat/BMS.

Units are rated at 550 watts each and 240 volts, therefore each unit is rated at 2.3 amps.

General Unit Specification

The casing is manufactured from 1.2mm zintec steel sheet and includes a matt black powder paint finish to the inside face. Levelling bolts are fitted through the base of the casing to allow up to 20mm height adjustment if required. A single module is 1200mm long producing 550 watts per unit. Where casings are required to form continuous runs, we provide fixings so that several units can be connected together, along with 'dummy' sections to make up the exact length required.

There are 20mm cable entry holes at each end allowing for the continuous feed of power supply to run through the air intake chamber. Provision of earth continuity links between casings is also allowed for. Where casings are supplied as individual units the grille and frame is factory fitted.

Heating elements are of steel hairpin construction and have steel fins bronze welded to the core. This method of construction offers excellent heat transfer and an even temperature along the active length. The heating elements have a 50mm cold zone at the connection end and are fitted into a wiring control box using gland nut and shake proof washers.

Within the casing there is an air splitter plate, which divides the heating chamber from the air intake chamber. There are two high temperature limit stats fitted to the splitter plate which are fitted approximately one third of the way from each end. In the event of the casing grille being partly or completely covered, preventing air circulating through the unit and the temperature to rise above a safe level, the heating will be automatically switched off until the temperature has fallen by 15 deg C when the stats will reset.

The thermostat can then be manually re-set by pressing the reset button. Alternative types of thermostats can be incorporated if required. There are safety shields fitted over the thermostats to prevent spilled liquids coming directly into contact with the stat wiring terminals. There is a wire safety mesh fitted over the entire heating chamber to prevent the ingress of items which may be dropped through the grille, the mesh has a free area of 96% which allows maximum air flow through the unit. Above the mesh there is an aluminium grille frame into which a "70% free area" cross bladed flexible grille is fitted, both grille and frame have a durable silver satin anodised finish to AA15.

Electric Trench Heater Element CE Conformity Declaration CALP-E212050 L=1000 550W 230V

General Unit Specification

Test Report 3.1 EN-10204

SILL-LINE PERIMETER HEATING Ltd. certifies that the material described above has been tested and complies with the terms of the order contract. Only for all manufacturing failings, having passed all the delivered unit, the adequate dimensional control and the electrical controls described here below:

It complies with the technical standards and safety adjectives laid down in the following set of regulations IEC 60335-1 and complies with the Directives 206/95CEE and 2004/108CEE.

Dielectric Strength at Room Temperature

A voltage of 1500V 50Hz has been applied between terminal and element sheath, the isolators have resisted this test without damage.

Electric Isolation at Room Temperature

Using a 500V DC Mega-tester, a value over 2M Ω has been obtained between terminals and element sheath.

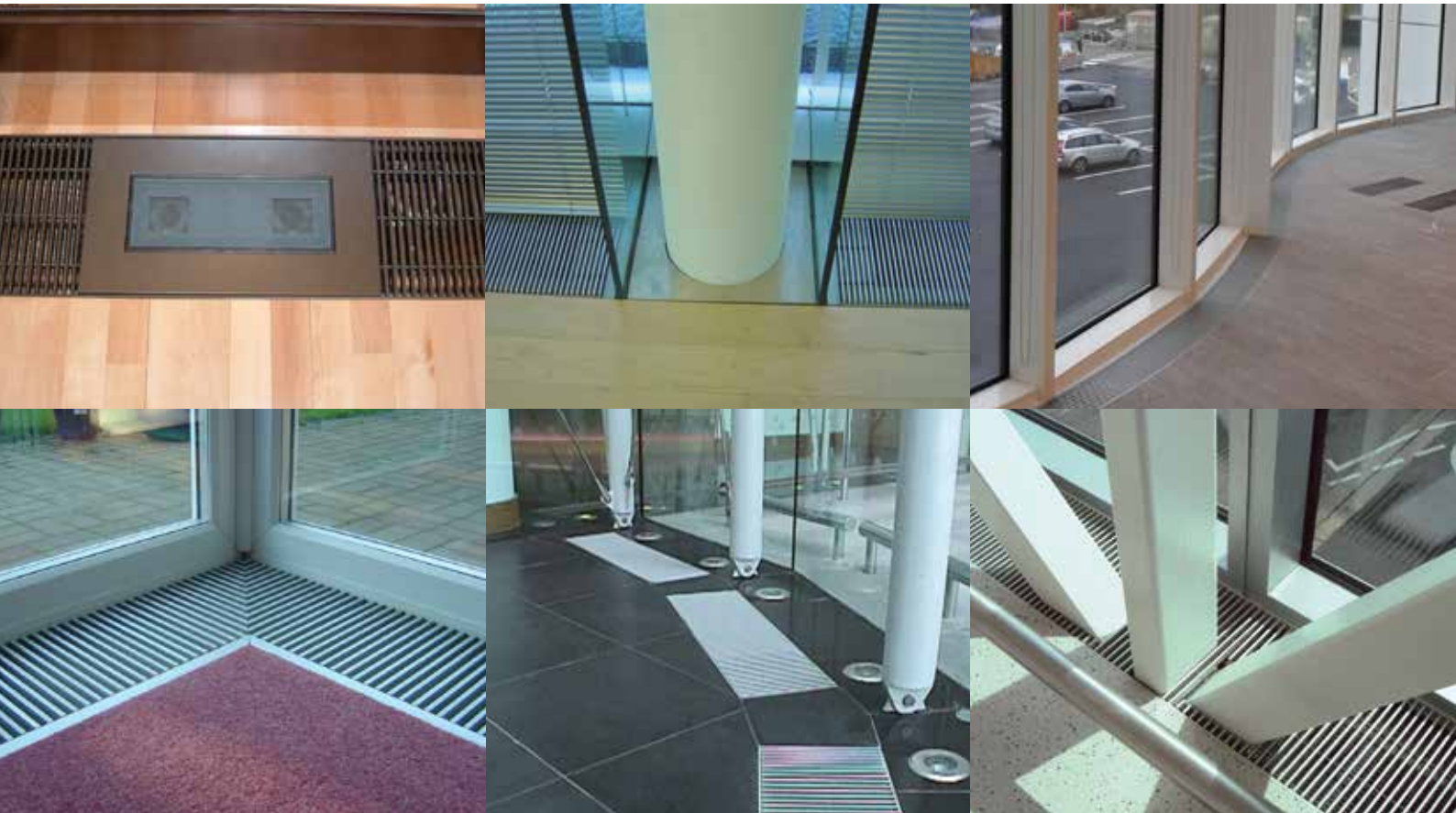
Wattage Test

All heaters have been tested at nominal voltage and produce +5% -10% of stated nominal wattage

Additional Information

This heater is intended to be installed, maintained and used by professionals. This heater should be installed in such a manner that the heat generated is dissipated without risk to the component itself and neighbouring materials. Said heater may not be operational until it has been declared to conform to the applicable safety standards of the equipment in which it is installed.

SILL-LINE PERIMETER HEATING Ltd. has no control over the final use of these heaters, the warranty is only given for the manufacturing quality and assembled material, it is the clients duty of care to guarantee that the uses given to the heater do not affect the expected life through undesired overheating, corrosion phenomena and other. In any case the warranty SILL-LINE PERIMETER HEATING Ltd covers the replacement of the faulty unit for the first 12 months from delivery date.



SILL-LINE
PERIMETER HEATING LTD

7 High March, High March Industrial Estate, Daventry, Northamptonshire NN11 4HB